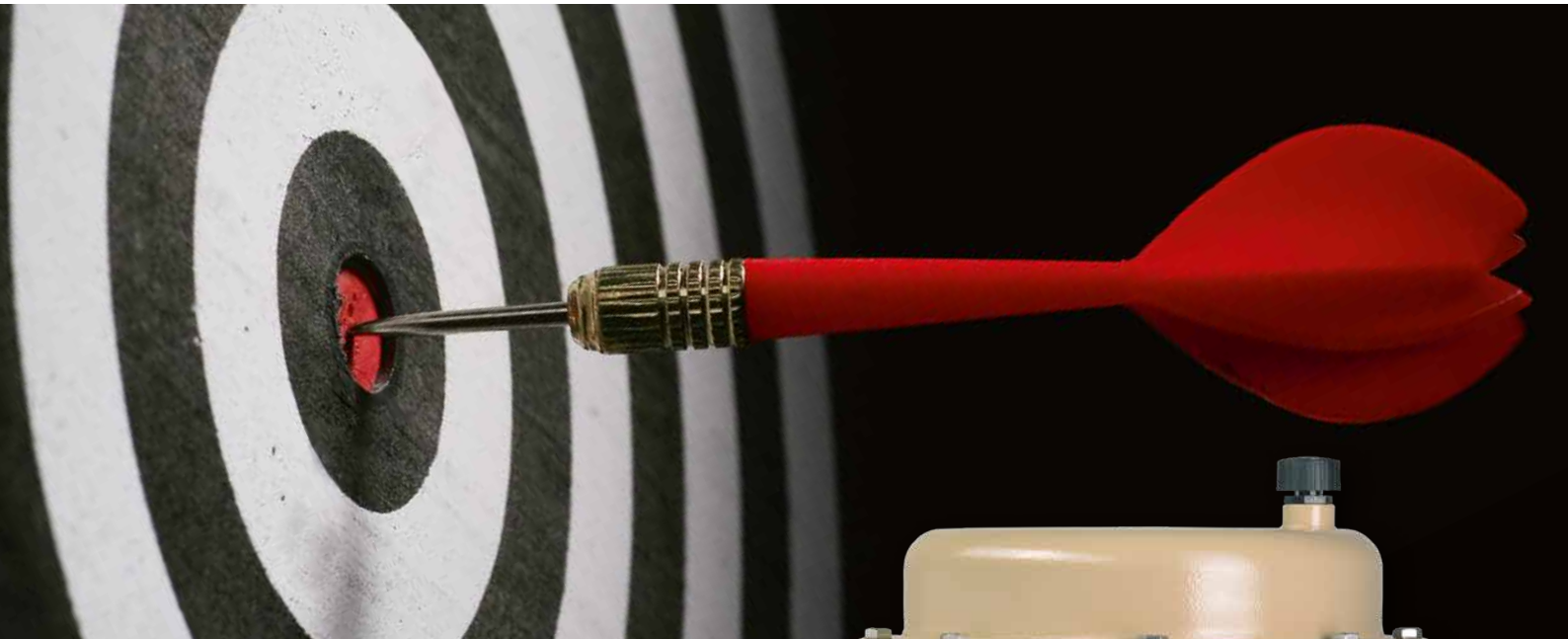


Good Reasons to Choose the Type 3241 Valve

SAMSON



Type 3241

SAMSON develops and manufactures control valves to meet all requirements. We offer the full range of high-quality and state-of-the-art control equipment for industrial processes.

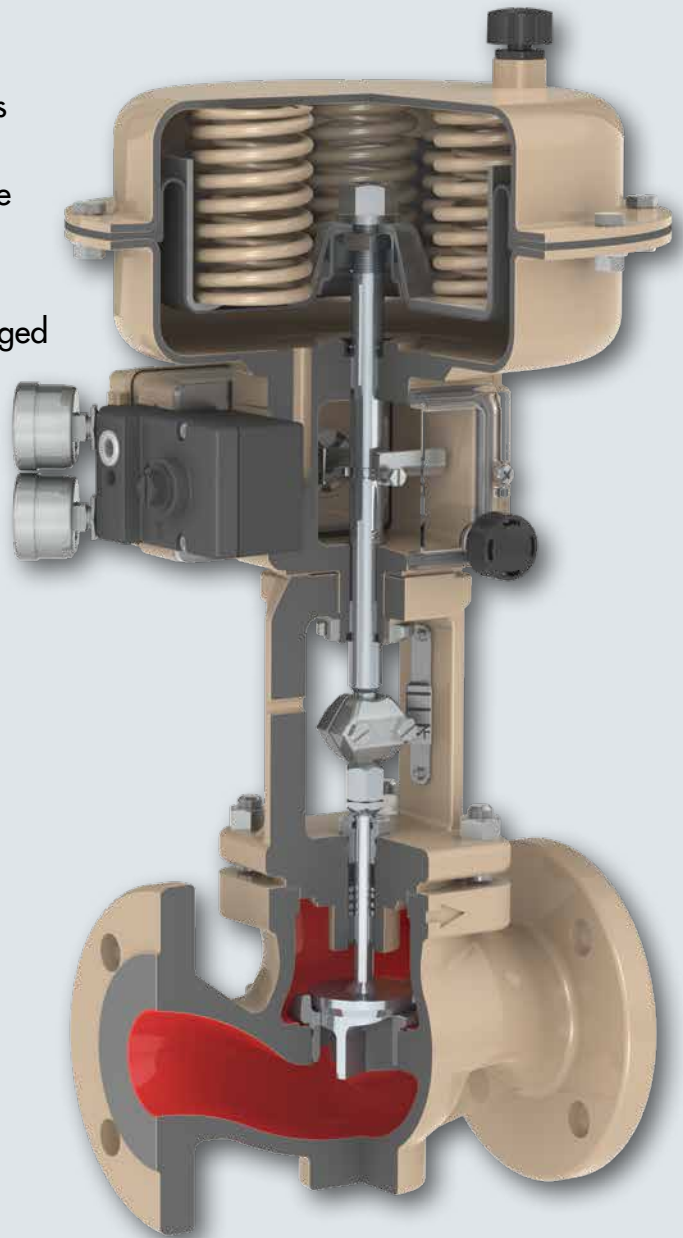


SMART IN FLOW CONTROL

Type 3241



- Actuator sizes ranging from 120 to 2800 cm²
- Integral attachment of digital or analog positioners as well as limit switches with solenoid valves
- Completely housed mechanical valve travel linkage
- Actuator together with positioner can be rotated by 360°
- Separate bonnet allows the actuator to be exchanged without the need to open the valve
- Bonnet and body made of the same material
- Stem seal monitoring for better controllability
- Optional insulating section or bellows seal
- Low-lying guide bushing guarantees stable guidance
- Up to 15 K_{VS} coefficients available in steps of 1.6 for each valve size
- Optimal trim to suit special applications



SAMSON AKTIENGESELLSCHAFT

Weismuellerstrasse 3 · 60314 Frankfurt am Main, Germany
Phone: +49 69 4009-0 · Fax: +49 69 4009-1507
E-mail: samson@samsongroup.com
Internet: www.samsongroup.com